



CE RoHS

SYSGY7636LD
LED Street Light

MANUAL

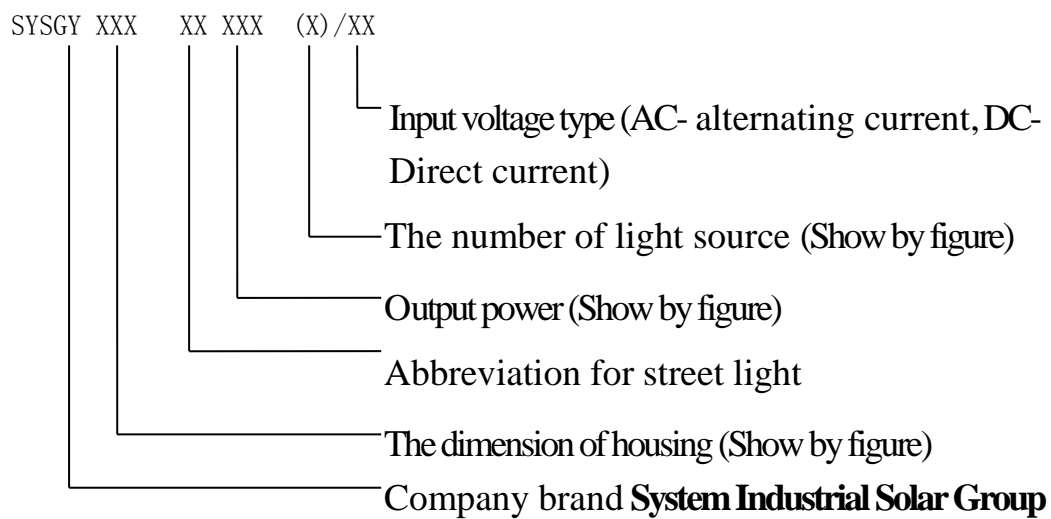
1. Introduction

- **SYSGY7636LD** series LED Street light is an eco-friendly line of new products from **System Industrial Solar Group**.
- Reasonable structure, beautiful appearance, heat and moisture resisting and with good seal ability.
- Quick start, high light efficiency, vivid lighting, no flicker, very safe to operate. There is no harmful effect to the eyes and skin.
- Uses single powerful LED as the light source, which is manufactured using our proprietary LED integrated encapsulation. The light source can be continuously used for about 50000 hours. This translates to a product life span of at least 10 years based on normal use.
- No pollution, high stability which achieves the real meaning of energy-saving.

1.2 Usage

SYSGY7636LD series street lights can be used in city streets, residential areas, factories, pavements, squares, parks, schools, yards and any other places where lighting is needed.

1.3 The composition and meaning of the model number



2. Structure



SYSGY7636LD series LED Street light consists of the following parts:

1. Light body
2. Stainless steel lock
3. LED Light source
4. Reflector
5. Waist-type Glass
6. Power supply
7. Press plate

3. Major Technical Specification

Item	Parameter	Unit	Data	Memo	
1	Input Voltage	V	AC277~480v		
2	Frequency	Hz	50/60		
3	Factor	W	80~140		
4	Color Temperature	K	2700~7000		
5	Color Rendering Index(Ra)	/	>75		
6	LED Light Source	Light Efficiency	Lm/w	>90	
		Voltage	V	30~35	
		Current	A	0.66~1.33	
7	IP Rating(IP)	/	IP65		
8	Electrical insulation grade	/	CLASSI		
9	Max rated environment temperature	°C	-40°C ~55°C		
10	Dimension	mm	761×350×192		
11	Lamp Weight	kg	10		

4. Use and Installation

4.1 Tighten the light pole screws and loosen 4 screws that fixed the pole, Connecting the cable line as picture 4.2 shows (with connection mark).

It can work normally with no error, and the detailed steps are as follows:

4.2 Open the stainless lock, open the light body

4.3 Embed the bracket pole into the lamps and tighten the installation screw, then connect the cables with the power supply in the correct position:

AC input connection: N ⊕ L

4.4 L: Live N: Neutral ⊕ : Ground

4.5 DC connection marks: DC+ DC- K

DC+: anode DC-: Cathode

K: half power control electrode

K+: half power control electrode is anode K-: half power control electrode is cathode

After installing, please check to make sure that the product can work properly.

5. Transport and storage requirements

5.1 The light is packed by carton. Do not expose to moisture and water.

Always handle with care to avoid breaking fragile components.

5.2 The light should be kept in the place that is cool, dry and clean.

6. Open Package and Check

6.1 Check whether the carton of the light is good before open.

6.2 There is one certification, one introduction and one sealing ring matches to each light. Check whether the part of light is in good condition.

6.3 Check whether the connector and screw of street light are loose or not.

7. Caution

7.1 Read the manual carefully before using the light in order to avoid accidents and consequential damages.

7.2 Pay attention to 4.2 requirement when connect light, prohibit connect it reverse.

7.3 The product is designed to be maintenance-free. Under normal circumstances, servicing is not needed. If the product needs servicing, please contact us.

7.4 Please check the product carefully before using it. If anything abnormal happens when in use, please contact us.

7.5 While using the light the surface temperature will rise a little bit. This is normal.

7.6 Open the connection of reflector and glass is prohibited, it will damage the waterproof.

8. Warning

8.1 Before installing people should make sure the light is complete.

8.2 The protection cover of the light is tempered glass. Do not press or throw it hard to avoid cracking. If it was cracked, it must be replaced by another one.

8.3 The light should be kept in the place that is cool, dry and clean. Do not expose to extreme elements, such as fire and water.

8.4 The power should be turned off when connecting the wire. After connecting wires, check whether connection is all right or not; prohibit connect it reverse.

8.5 When the light is working, non-professional worker is prohibited to open the light.

8.6 Do not throw the used lights indiscriminately. Observe proper recycling procedures.

9. Contact

System Industrial Solar Group

1362 NW 78th Avenue Miami, FL 33126 Tel 305 592 9811